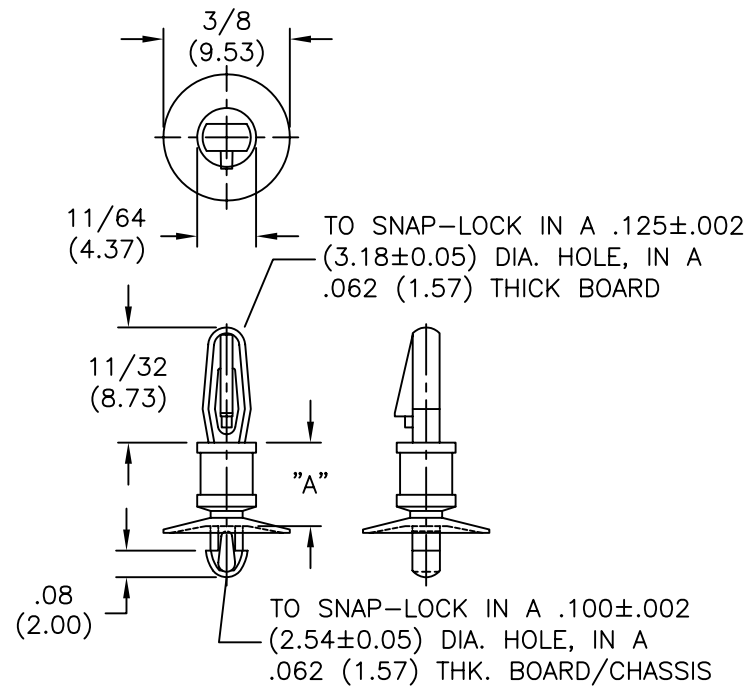


AVAILABLE BY SPECIAL ORDER ONLY
 -NAFTA REGION ONLY

PART NO.	DIM. "A" ±.015(0.4)
CLCBST-2-01	1/8 (3.18)
CLCBST-3-01	3/16 (4.76)
CLCBST-4-01	1/4 (6.35)
CLCBST-5-01	5/16 (7.94)
CLCBST-6-01	3/8 (9.53)
CLCBST-7-01	7/16 (11.11)
CLCBST-8-01	1/2 (12.70)
CLCBST-9-01	9/16 (14.29)
CLCBST-10-01	5/8 (15.88)



NOTES:

- MATERIAL: NYLON 6/6 (RMS-01).
 FLAME RETARDANT, NYLON (RMS-19),
 AVAILABLE BY SPECIAL ORDER ONLY.
- COLOR: NATURAL.

TITLE: CUPPED LOCKING CKT. BD. SUPPORT, TEARDROP					DWG IN IN (MM)	
TOLERANCES UNLESS NOTED .XX=±.010 .XXX=±.005 FRAC=±1/64 ANG=±1°	FILE # CLCBST	DWN: P.B.	APP:		FINAL	
	MAT'L: SEE NOTES	DT: 06-21-94	DT:	PART #		PRINT TYPE
	RE: RICHCO, INC.	RICHCO INC. PO BOX 804238, CHICAGO, 60680 (773) 539-4060		SEE TABLE		CA
D	SEE ECN #862 FOR CHANGES	SM 10.04.04				
C	CHANGED FILE NO. AND TITLE BLOCK	SM 04.27.01				
B	MAT'L RMS-19 ADDED	J.L. 12.19.97				
A	CONVERTED TO ACAD	PB 06.21.94				
REV	DESCRIPTION	ENGR DATE				